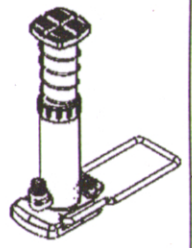
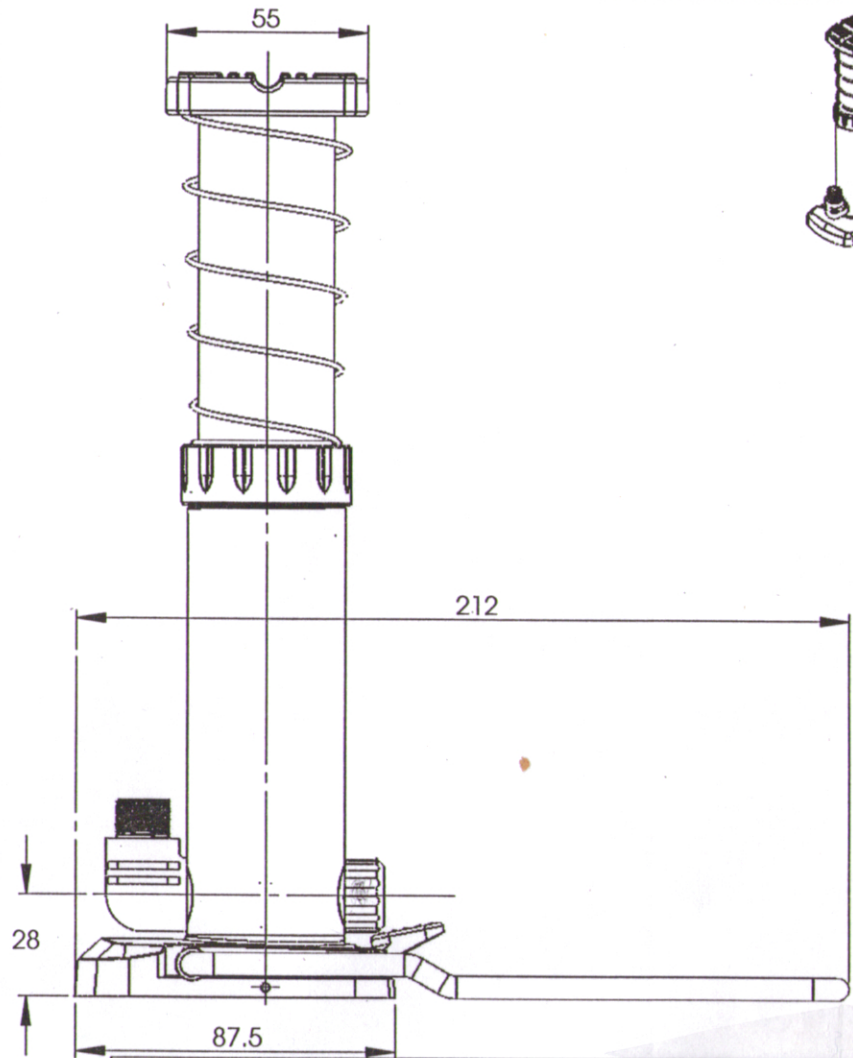
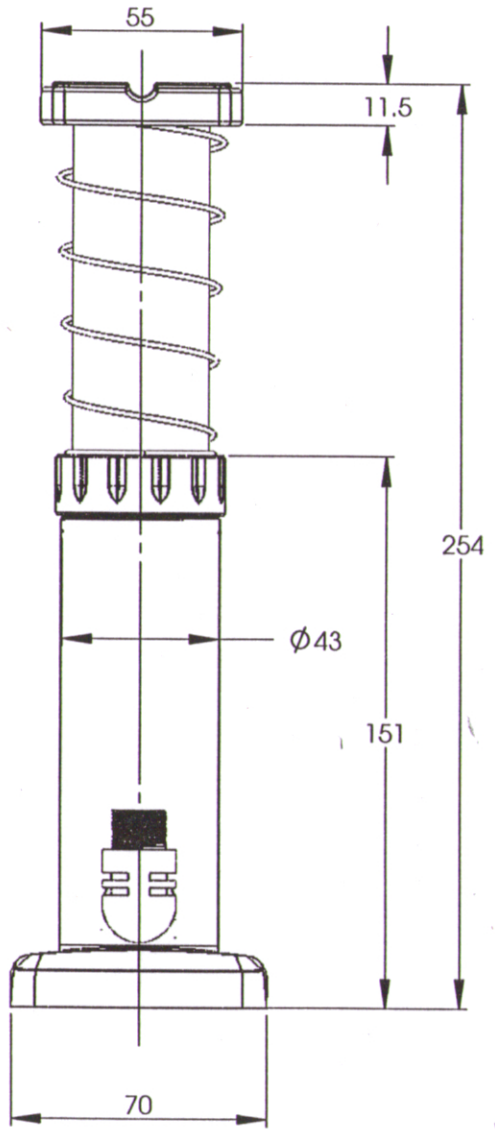


REV.	DESCRIPTION	REV. DATE	APP. DATE	APPROVED
------	-------------	-----------	-----------	----------



DRAWING: louis2005/04/13		DWG. NO.:
APPROVED:		MATERIAL:
TOLERANCE .X = .XX = $\pm 0.10$ ANGLE DIM. =	UNIT: mm	SCALE: 1 : 2
PAGE: 1	PROJECT:	