





GS YUASA New Arrival

May 2009

GS YUASA International Ltd.

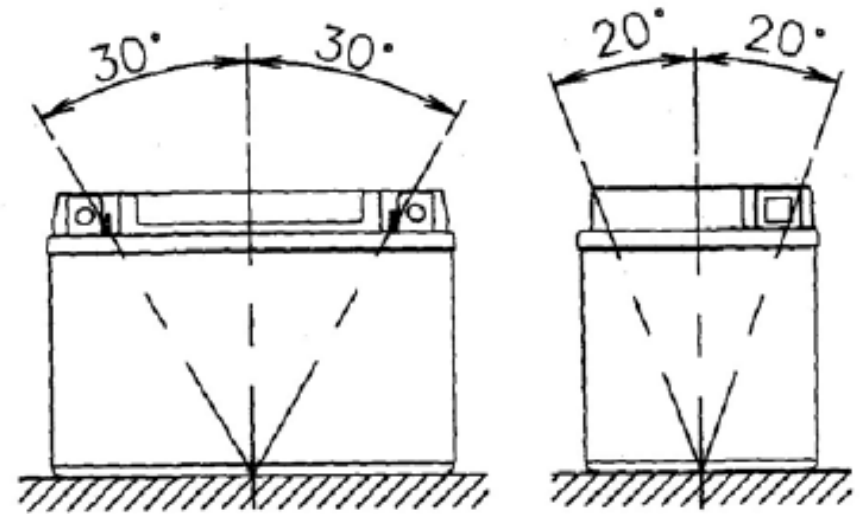
- Now TTZ batteries are available from Taiwan.
- TTZ batteries are same size as YTZ batteries.
- TTZ batteries are same as YTX battery technology.
- TTZ batteries shall be supplied DRY condition with acid bottle (except TTZ7S).
- Longer storage with DRY condition.

Type	Capacity (Ah/10hrs)	Dimensions(mm)			Weight with acid(kg)	Regular Charge Current (amp.)	Assembly Figure
		L	W	H			
TTZ7S (WET Only)	6	113	70	105	2.3	0.6	
TTZ10S-BS	8.6	150	87	93	3.2	0.9	
TTZ12S-BS	11	150	87	110	3.7	1.1	
TTZ14S-BS	11.2	150	87	110	3.9	1.1	

NOTICE

The Install Position for TTZ batteries is different from YTZ batteries.

TTZ is less tilted angle than YTZ



- Now DRY type YIX30L with acid bottle is available from USA.
- Longer storage with DRY condition.
- Activate when you are ready to ride.

YIX30L Battery Application

ATV (All Terrain Vehicle)

Make	CC	Model	Year
Polaris	450	Diesel .445 Liter (primary)	1999 -
Polaris	700	Sportsman 700	2002 -

Motorcycle

Make	CC	Model	Year
Harley-Davidson	1340	FL, FLH Series (Touring)	1997 -
Harley-Davidson	1450	FL, FLH Series (Touring)	1999
Harley-Davidson	1450	FL, FLH Series (Touring)	2000 -
Harley-Davidson	1570	FL, FLH Series (Touring)	2007

Utility Vehicle

Make	CC	Model	Year
Polaris	425	Ranger 2x4	2002 -
Polaris	500	Ranger 6x6,4x4	1998 -

