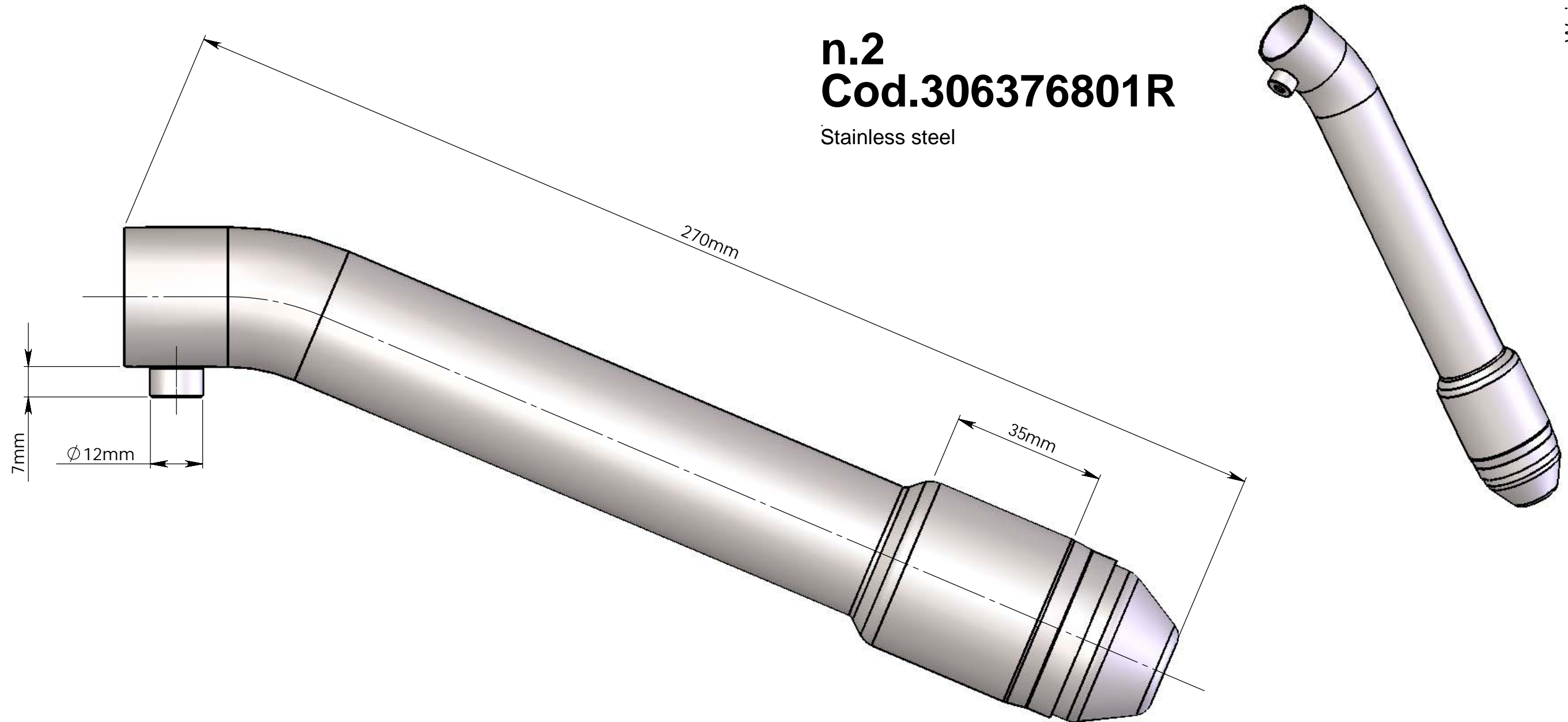


**n.2**  
**Cod.306376801R**

Stainless steel



Weight = 0.21kg