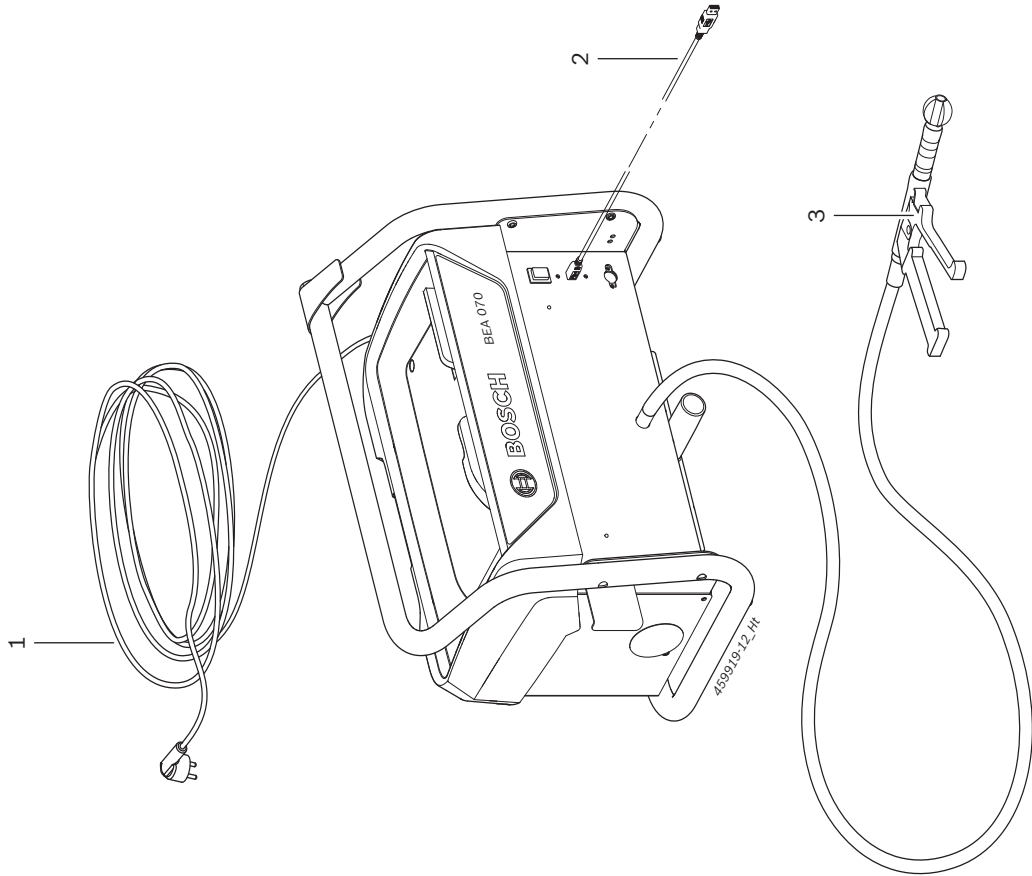


BEA 070

| Pos. | Class | Intervall | Customer | Partnumber | BEZEICHNUNG (de) | IDENTIFICATION (fr) | IDENTIFICACION (es) | Comment (en) |
|------|-------|-----------|----------|------------|---------------------|---------------------|---------------------|--------------|
| | | | | | IDENTIFICATION (en) | | | |
| | | | | | Kommentar (de) | | | |

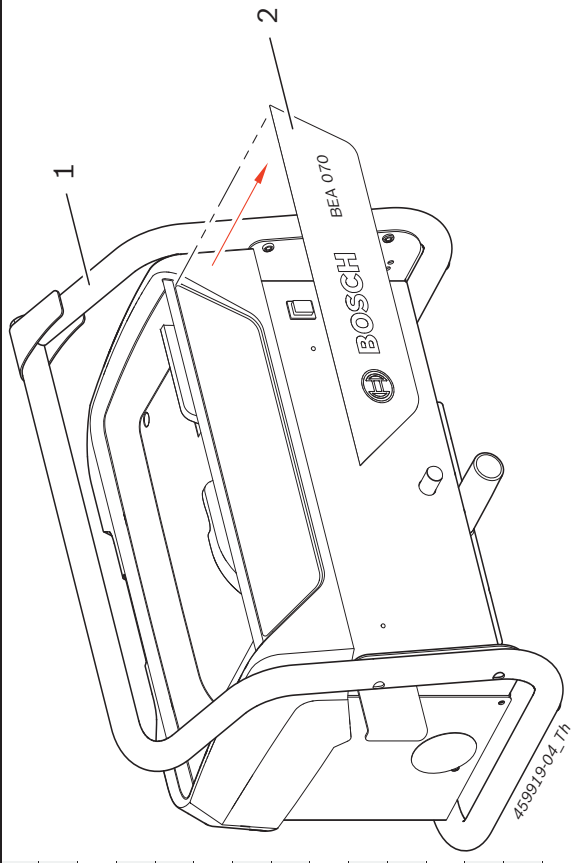
| | | | | | | | | |
|---|---|---|---|---|--|---|--|--|
| 1 | ● | - | X | - | Netzanschlussleitung Power supply cord see spare part list 1 689 973 307 | Câble d alimentation Linea De Conexion A Red | | |
| 2 | ● | - | - | - | Verbindungsleitung Connecting Cable see spare part list 1 689 973 455 | Cable De Connexion Cable De Conexion | | |
| 3 | ● | - | - | - | Abgassonde Exhaust-Sample Pickup see spare part list 1 689 973 305 | Sonde De Prelevement Sonda De Toma | | |
| | | | | | | | | |
| | | | | | | | | |
| | | | | | | | | |
| | | | | | | | | |
| | | | | | | | | |
| | | | | | | | | |
| | | | | | | | | |
| | | | | | | | | |
| | | | | | | | | |
| | | | | | | | | |
| | | | | | | | | |
| | | | | | | | | |
| | | | | | | | | |
| | | | | | | | | |
| | | | | | | | | |
| | | | | | | | | |
| | | | | | | | | |
| | | | | | | | | |



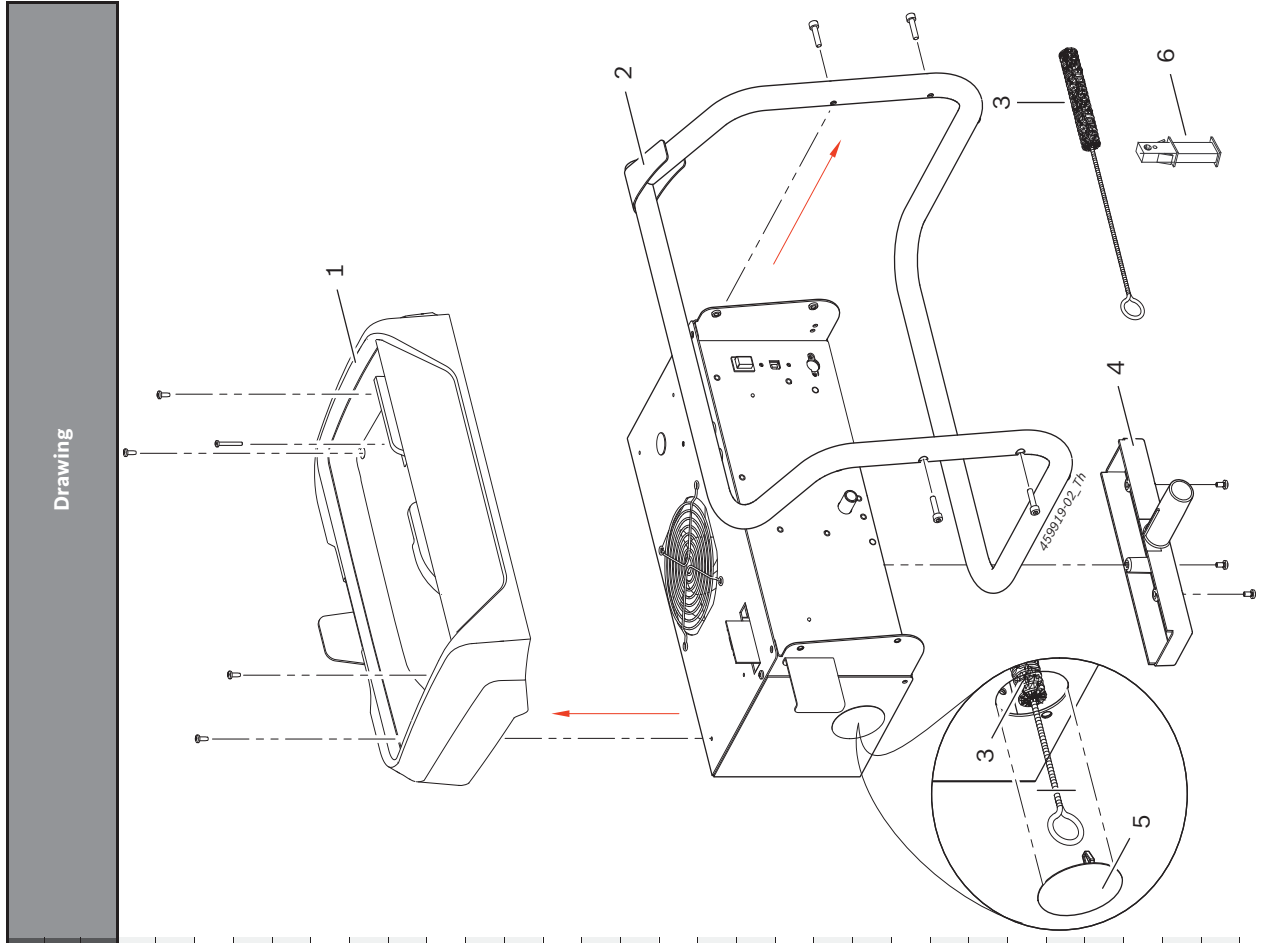
Drawing

| Pos. | Class | Intervall | Customer | Partnumber | BEZEICHNUNG (de) | IDENTIFICATION (fr) |
|------|-------|-----------|----------|------------|--|--|
| | | | | | IDENTIFICATION (en) | IDENTIFICACION (es) |
| | | | | | Kommentar (de) | Comment (en) |
| 1 | O | - | X | 1687023551 | Abgasmessgerät Exh. Gas Measuring Instr. without sticker (pos. 2); sticker needs to be chosen from below | Analyseur Gaz Echappement Aparato Medicion De Gases |
| 2 | O | - | - | 1681105282 | Klebeschild Sticker yellow green | Etiquette Adhesive Etiqueta Adhesiva |
| 2* | O | - | - | 1681106170 | Klebeschild Sticker ultramarine blue | Etiquette Adhesive Etiqueta Adhesiva |
| 2* | O | - | - | 1681106171 | Klebeschild Sticker white aluminium | Etiquette Adhesive Etiqueta Adhesiva |
| 2* | O | - | - | 1681106172 | Klebeschild Sticker anthracite grey | Etiquette Adhesive Etiqueta Adhesiva |
| | | | | | | |
| | | | | | | |
| | | | | | | |
| | | | | | | |
| | | | | | | |
| | | | | | | |
| | | | | | | |
| | | | | | | |

Drawing

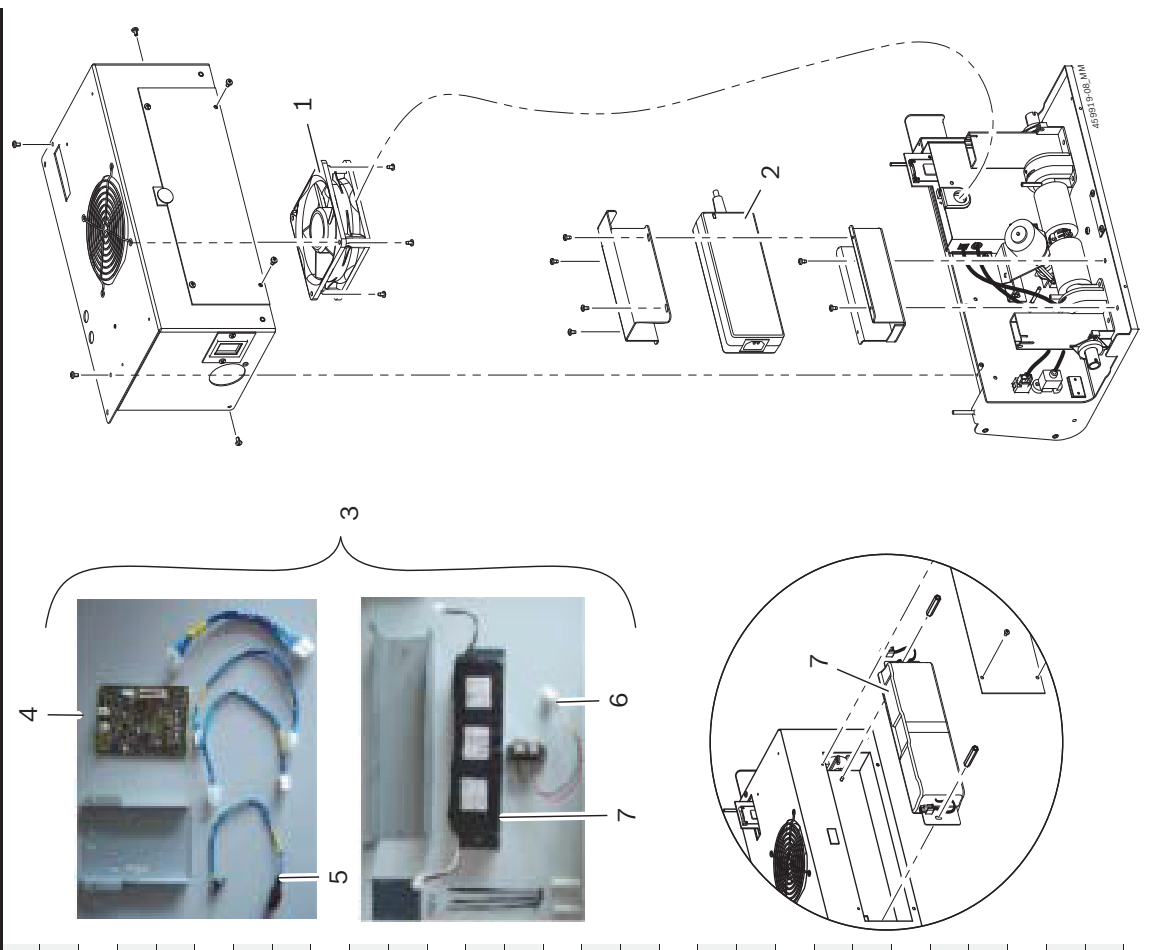


| Pos. | Class | Intervall | Customer | Partnumber | BEZEICHNUNG (de) | IDENTIFICATION (fr) | IDENTIFICACION (es) | Comment (en) |
|------|-------|-----------|----------|------------|---|---|---------------------|--------------|
| 1 | 0 | - | X | 1685510226 | Abdeckhaube Covering hood | Capot de recouvrement Cubierta | | |
| 2 | 0 | - | - | 1685200150 | Rohrgestell Pipe Frame | Bati Tubulaire Bastidor Tubular | | |
| 3 | 0 | - | - | 1687929006 | Rundbürste Circular Brush | Brosse Ronde Cepillo Redondo | | |
| 4 | 0 | - | - | 1685410100 | Wanne Trough | Cuve Bandeja | | |
| 5 | 0 | - | - | 1680021003 | Verschlussdeckel Sealing cap 5 pieces | Couvercle Tapa De Cierre | | |
| 6 | 0 | - | - | - | Kalibriereinsatz Calibrating Insert see calibrating insert overview | Embout De Calibrage Suplemento Calibracion | | |
| | | | | | | | | |
| | | | | | | | | |
| | | | | | | | | |
| | | | | | | | | |
| | | | | | | | | |
| | | | | | | | | |
| | | | | | | | | |
| | | | | | | | | |
| | | | | | | | | |
| | | | | | | | | |
| | | | | | | | | |



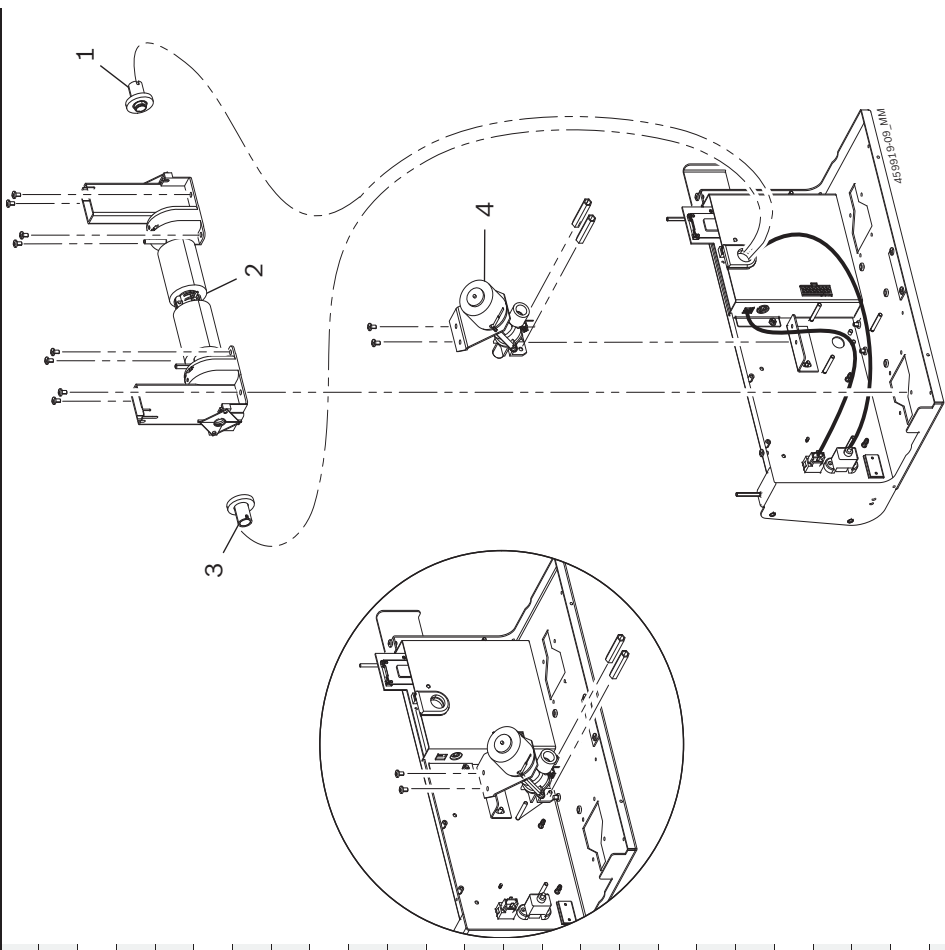
| Pos. | Class | Intervall | Customer | Partnumber | BEZEICHNUNG (de) | IDENTIFICATION (fr) | IDENTIFICACION (es) | Comment (en) |
|------|-------|-----------|----------|------------|-----------------------|-------------------------|-------------------------|--------------|
| 1 | 0 | - | X | 1687222185 | Lüfter | Ventilateur | Ventilador | |
| 2 | 0 | - | - | - | Netzteil | Bloc d'alimentation | Bloque De Alimentacion | |
| 3 | 0 | - | - | 1687001626 | Teilesatz | Jeu De Pieces | Juego De Piezas | |
| 4 | 0 | - | - | 1688400470 | Leiterplatte Bestückt | Carte Imprimee Equippee | Placa Impresa Equipada | |
| 5 | 0 | - | - | 1684463812 | Anschlussleitung | Cable De Connexion | Cable De Conexion | |
| 6 | 0 | - | - | 1684465626 | Connector Cable | Cable De Connexion | Cable De Conexion | |
| 7 | 0 | - | - | 1687335038 | Akku-Paket | Bloc D'accumulateurs | Bateria De Acumuladores | |
| | | | | | | | | |
| | | | | | | | | |
| | | | | | | | | |
| | | | | | | | | |
| | | | | | | | | |
| | | | | | | | | |
| | | | | | | | | |
| | | | | | | | | |
| | | | | | | | | |

Drawing



| Pos. | Class | Intervall | Customer | Partnumber | BEZEICHNUNG (de) | IDENTIFICATION (fr) | IDENTIFICACION (es) | Comment (en) |
|------|-------|-----------|----------|------------|---|---|---------------------|--------------|
| 1 | ● | - | - | 1687247029 | Optischer Empfänger Optical Receiver | Recepteur Optique Receptor Óptico | | |
| 2 | ● | - | - | 1685115155 | Messkammer Measuring Chamber | Chambre De Mesure Camara De Medicion | | |
| 3 | ● | - | - | 1687246028 | Optischer Sender Optical Transmitter | Emetteur Optique Transmisor Óptico | | |
| 4 | ● | - | - | 1687414042 | Wegeventil Directional-Control Valve | Distributeur Valvula De Distribucion | | |
| | | | | | | | | |
| | | | | | | | | |
| | | | | | | | | |
| | | | | | | | | |
| | | | | | | | | |
| | | | | | | | | |
| | | | | | | | | |
| | | | | | | | | |
| | | | | | | | | |
| | | | | | | | | |

Drawing



| Pos. | Class | Intervall | Customer | Partnumber | BEZEICHNUNG (de) | IDENTIFICATION (fr) |
|------|-------|-----------|----------|------------|--|---|
| | | | | | IDENTIFICATION (en) | IDENTIFICACION (es) |
| | | | | | Kommentar (de) | Comment (en) |
| 1 | ● | - | - | 1684463819 | Anschlussleitung Connector Cable On/Off key with connecting cable | Cable De Connexion Cable De Conexion Cable De Connexion |
| 2 | ● | - | - | 1684462552 | Verbindungsleitung Connecting Cable | Cable De Connexion Cable De Conexion |
| 3 | ○ | - | - | 1688400469 | Leiterplatte Bestückt Printed-Board Assembly Motherboard | Carte Imprimee Equipsee Placa Impresa Equipada |
| 4 | ● | - | - | 1687010616 | Ersatzteilsatz Service kit printed circuit board; Bluetooth; only for BEA 070 outside Europe | Jeu De Rechanges Juego De Repuestos |
| 4* | ● | - | - | 1687010617 | Ersatzteilsatz Service kit 'printed circuit board; Bluetooth; only for BEA 070 inside Europe | Jeu De Rechanges Juego De Repuestos |
| 5 | ● | 1y | - | 1687335004 | Trockenbatterie Dry Cell | Pile Seche Pila Seca |
| | | | | | | |
| | | | | | | |
| | | | | | | |
| | | | | | | |
| | | | | | | |
| | | | | | | |

